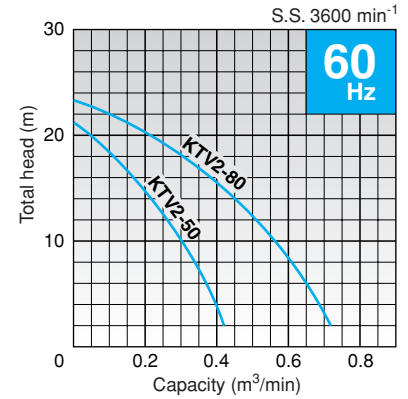
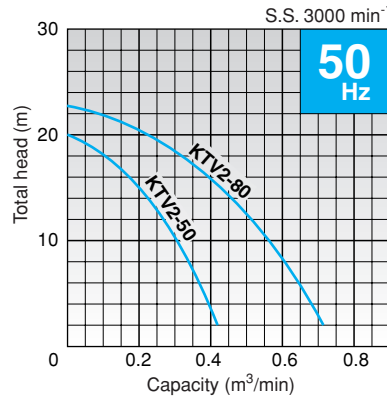


Performance Curves



Standard Specifications 50/60Hz

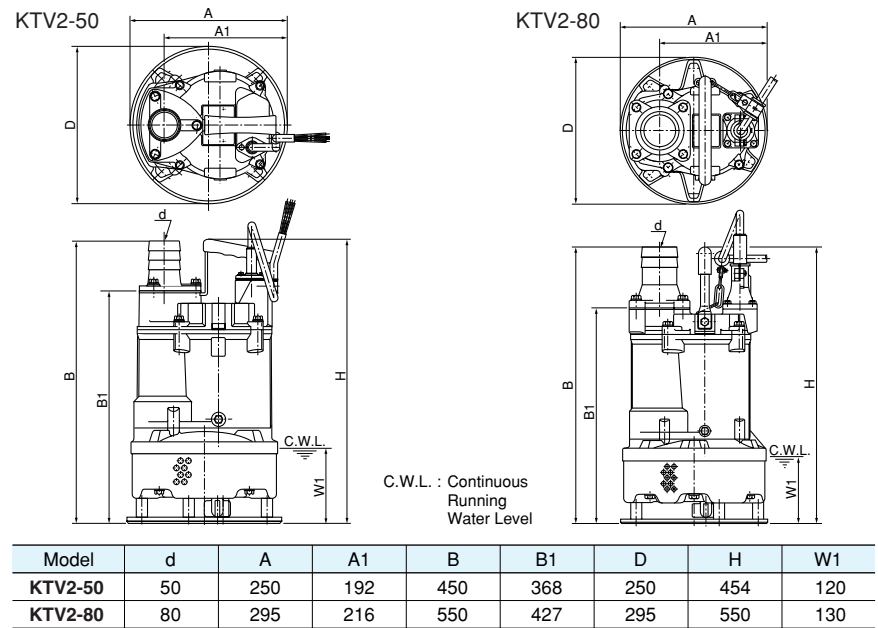
Discharge Bore mm	Model	Motor Output kW	Phase	Total Head m	Capacity m³/min	Starting Method	Dry Weight kgs	Cable Length m
50	KTV2-50	2	Three-phase	12	0.25	D.O.L.	25	8
80	KTV2-80	3	Three-phase	12	0.50	D.O.L.	38	8

• Dry weight excluding cable

Major Standard Specifications

Item	Discharge bore size mm		
	50	80	
Pumping fluid	Type of fluid	Sludge, slurry, liquid containing mud	
	Fluid temperature	0~40°C	
Pump	Structure	Impeller	Semi-vortex
		Shaft seal	Double mechanical seal
		Bearing	Shielded ball bearing
	Materials	Impeller	Chromium iron casting
		Casing	Synthetic rubber (with casing retainer)
Shaft seal (mechanical seal)	Silicon carbide		
Motor	Type, Poles	Dry-type submersible induction motor, 2 poles	
	Insulation	Class E	
	Phase / Voltage	Three-phase/ 220V, 380V, 400V, 415V, 440V, 460V	
	Motor protector (Built-in)	Circle thermal protector	
	Lubricant	Turbine oil (ISO VG32)	
	Materials	Frame	Aluminium alloy casting
		Shaft	Stainless steel #403
Cable		PVC Chloroprene rubber	
Discharge connection	Hose coupling		

Dimensions Unit: mm



Standard Accessory

- Hose coupling 1pc.



Cross-Section

NO.	DESCRIPTIONS	NO.	DESCRIPTIONS
1	Cabletyre Cable	52A	Upper Bearing
20	Pump Casing	52B	Lower Bearing
21	Impeller	53	Motor Protector
23	Strainer Stand	54	Shaft
24	Stirrer	55	Rotor
25	Mechanical Seal	56	Stator
29	Oil Casing	64	Motor Frame
31	Wearing Plate	68	Handle
32	Hose Coupling	71	Shaft Sleeve
35	Oil Plug	121	Duct Sleeve
36	Lubricant	122	V-ring
50	Motor Bracket	127	Fixing Plate

• Oil Lifter is not illustrated.