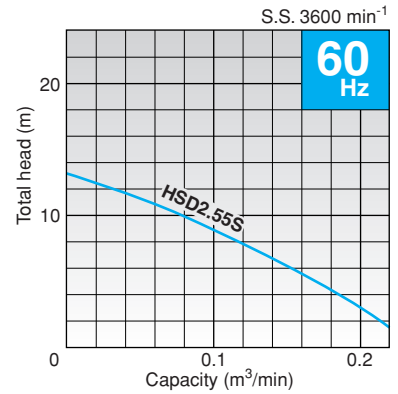
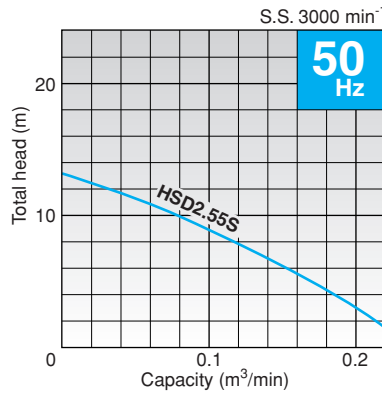


Single-phase portable pump fit for use in slurry dewatering in foundation works.  
Uses chromium iron casting for the impeller and stirrer.



### Performance Curves



### Major Standard Specifications

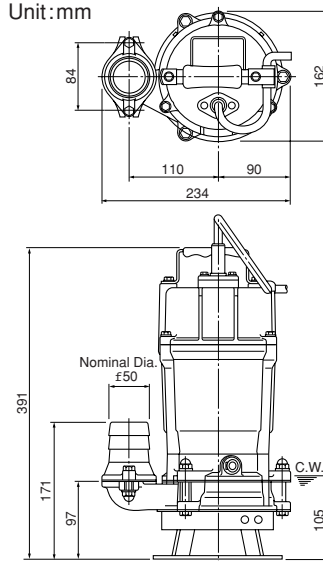
Item		Discharge bore size mm	50	
Pumping fluid	Type of fluid	Sludge, slurry, liquids containing sand and mud		
	Fluid temperature	0~40°C		
Pump	Structure	Impeller	Semi-vortex	
		Shaft seal	Double mechanical seal	
		Bearing	Shielded ball bearing	
	Materials	Impeller	Chromium iron casting	
		Casing	Ductile iron casting	
Shaft seal (mechanical seal)	Silicon carbide			
Motor	Type, Poles	Dry-type submersible induction motor, 2 poles		
	Insulation	Class E		
	Phase / Voltage	Single-phase/ 110V, 220V, 230V, 240V		
	Motor protector (Built-in)	Circle thermal protector		
	Lubricant	Turbine oil (ISO VG32)		
	Materials	Frame	Aluminum alloy casting	
		Shaft	Stainless steel #403	
Cable		PVC		
Discharge connection		Hose coupling		

### Standard Specifications 50/60Hz

Discharge Bore mm	Model	Motor Output kW	Phase	Total Head m	Capacity m³/min	Starting Method	Dry Weight kgs	Cable Length m
50	HSD2.55S	0.55	Single-phase	9	0.1	Capacitor Run	15	5

\* Dry weight excluding cable

### Dimensions Unit: mm



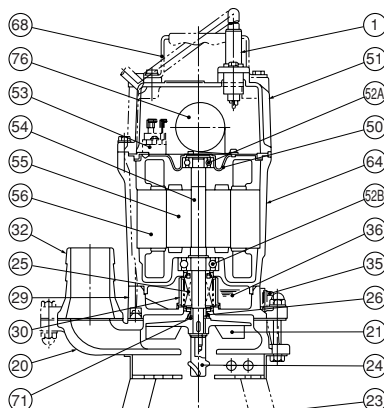
C.W.L. : Continuous Running Water Level

### Standard Accessories

- Hose coupling ..... 1pc.
- Hose band ..... 1pc.



### Cross-Section



NO.	DESCRIPTIONS	NO.	DESCRIPTIONS
1	Cable	50	Motor Bracket
20	Pump Casing	51	Motor Head Cover
21	Impeller	52A	Upper Bearing
23	Strainer Stand	52B	Lower Bearing
24	Stirrer	53	Motor Protector
25	Mechanical Seal	54	Shaft
26	V-ring	55	Rotor
29	Oil Casing	56	Stator
30	Oil Lifter	64	Motor Frame
32	Hose Coupling	68	Handle
35	Oil Plug	71	Shaft Sleeve
36	Lubricant	76	Capacitor