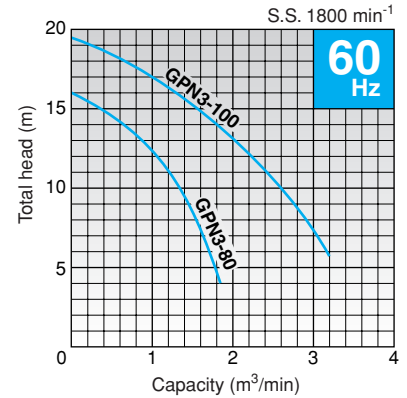
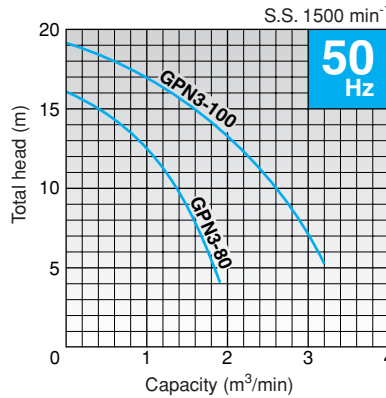


A special-steel impeller and suction plate have greatly increased the pump's life.

GPN



### Performance Curves



### Standard Specifications 50/60Hz

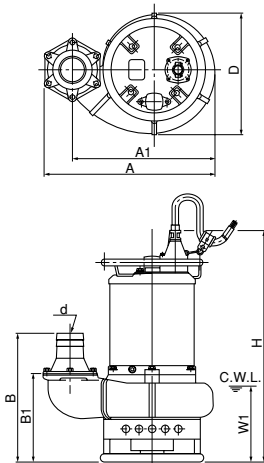
Discharge Bore mm	Model	Motor Output kW	Phase	Total Head m	Capacity m³/min	Starting Method	Dry Weight kgs	Cable Length m
80	GPN3-80	5.5	Three-phase	12	1.1	D.O.L.	145	8
100	GPN3-100	11	Three-phase	15	1.6	D.O.L.	217	8

• Dry weight excluding cable

### Major Standard Specifications

Item	Discharge bore size mm		
	80	100	
Pumping fluid	Type of fluid	Sludge, various types of slurry, liquid containing sandy mud	
	Fluid temperature	0~40°C	
Pump	Structure	Impeller	Semi-open
		Shaft seal	Mechanical seal
		Bearing	Shielded ball bearing
	Materials	Impeller	Chromium iron casting
		Casing	Grey iron casting
		Suction plate	Chromium iron casting
Motor	Type, Poles	Dry-type submersible induction motor, 4 poles	
	Insulation	Class E · B	
	Phase / Voltage	Three-phase/ 220V, 380V, 400V, 415V, 440V, 460V	
	Motor protector (Built-in)	Circle thermal protector	
	Lubricant	Turbine oil (ISO VG32)	
	Materials	Frame	Grey iron casting
		Shaft	Chromium molybdenum steel
		Cable	Chloroprene rubber
Discharge connection	Hose coupling		

### Dimensions Unit: mm



C.W.L. : Continuous Running Water Level

Model	d	A	A1	B	B1	D	H	W1
GPN3-80	80	487	426	429	307	390	777	270
GPN3-100	100	617	517	481	328	450	860	295

### Specific Installation

(Contact your nearest dealer for more information)

#### Guide Rail Fitting System

The guide rail fitting system connects the pump to and from the piping easily just by lowering and hoisting the pump, allowing easy maintenance and inspection without the need to enter the pit.

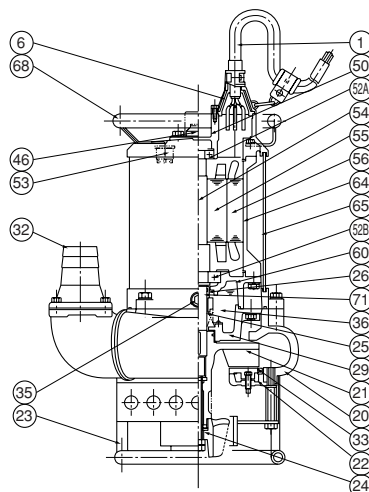


### Standard Accessory

- Hose coupling ..... 1pc.



### Cross-Section



NO.	DESCRIPTIONS	NO.	DESCRIPTIONS
1	Cable	46	Air Release Valve
6	Stuffing Box	50	Motor Bracket
20	Pump Casing	52A	Upper Bearing
21	Impeller	52B	Lower Bearing
22	Suction Cover	53	Motor Protector
23	Strainer Stand	54	Shaft
24	Stirrer	55	Rotor
25	Mechanical Seal	56	Stator
26	Oil Seal	60	Bearing Housing
29	Oil Casing	64	Motor Frame
32	Hose Coupling	65	Outer Cover
33	Suction Plate	68	Handle
35	Oil Plug	71	Shaft Sleeve
36	Lubricant		

• Oil Lifter is not installed.